



ECOTEK CANADA PROMOTION TRADE CORPORATION
REGISTERED ADDRESS:
 1188 West Georgia Street, Unit 1440, Vancouver, B.C, Canada, V6E 4A2
 Tel: +1 (778) 928-5580
 Co. Reg. No.: BC0895460
 www.ecotek-canada.vn

ORIGINAL

VALVE REGULATED LEAD ACID BATTERY



Our high quality VRLA batteries are developed with state-of-the-art technology.

- Absorbent Glass Mat (AGM) technology
- Long life
- Small size
- No leakage
- Low self discharge
- No water or electrolyte supplement is required
- Maintenance-free
- They have been widely used in UPS, and other kinds of back-up power.

ECT-UP12200VA18

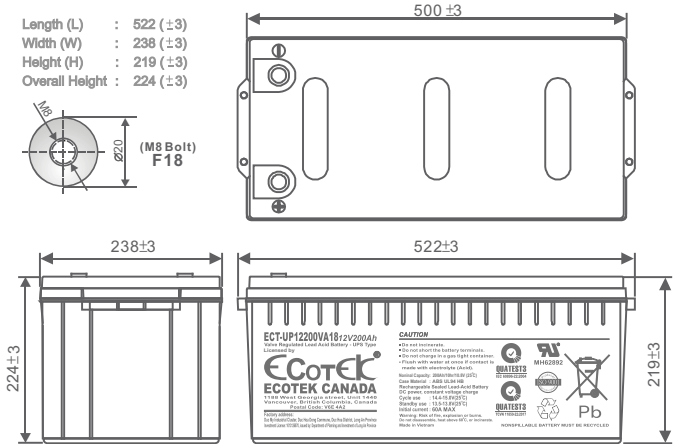
12V200Ah
MAINTENANCE-FREE

Product



SẢN PHẨM KHÔNG CẦN BẢO DƯỠNG
ĐƯỢC BẢO HIỂM TRÁCH NHIỆM LÊN ĐẾN 2 TRIỆU USD

Dimensions(mm)



Specifications

Nominal Voltage(V)	12V
Nominal Capacity	
10 hour rate (20A to 10.80V)	200Ah
5 hour rate (34A to 10.20V)	170Ah
1 hour rate (120A to 9.60V)	120Ah
Weight	Approx. 66.5kg
Internal Resistance (at 1KHz)	Approx. 3m Ω
Maximum Discharge Current for 5 seconds:	1600A
Design life	10-12 years
Case Material	ABS UL94 HB
	Option: Flammability resistance of (UL94 V-0)
Terminal	F18

Charging Methods at 25°C (77°F)

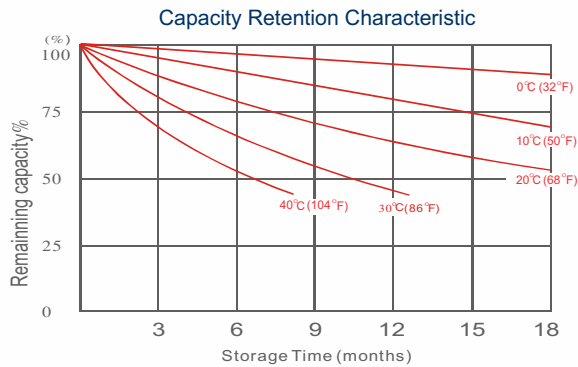
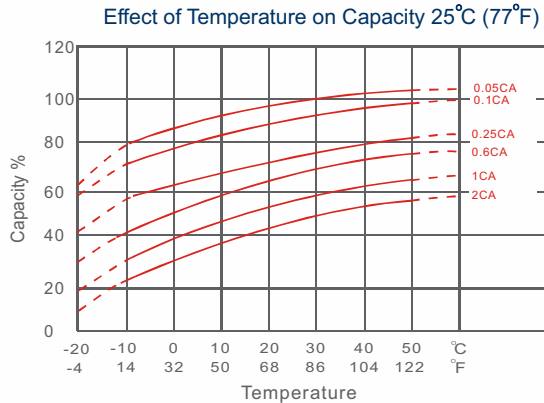
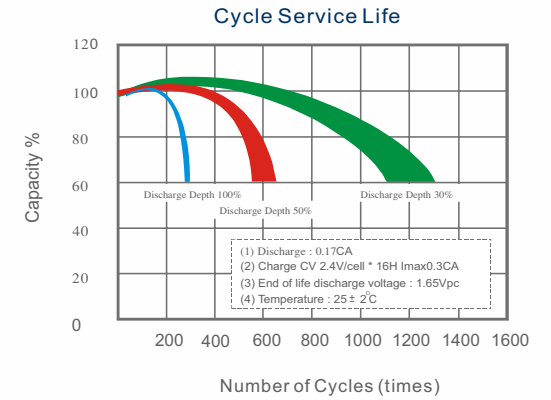
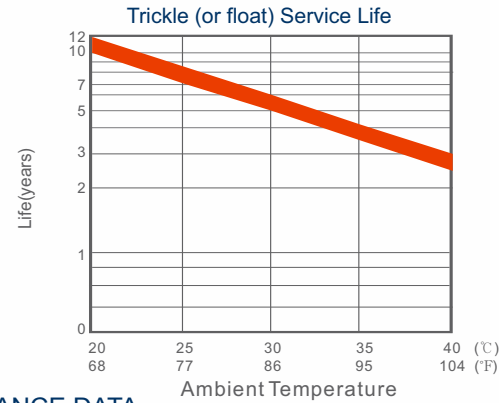
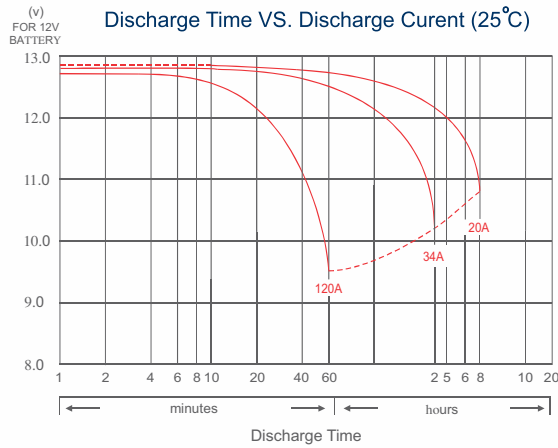
Cycle use:	
Charging Voltage	14.4 to 15.0V
Coefficient -5.0mV/°C/cell	
Maximum Charging Current	60A
Standby use:	
Float Charging Voltage	13.50 to 13.80V
Coefficient -3.0mV/°C/cell	

Operating Temperature Range

Charge	-15°C(5°F) to 40°C(104°F)
Discharge	-15°C(5°F) to 50°C(122°F)
Storage	-15°C(5°F) to 40°C(104°F)

Charge Retention (shelf life) at 20°C (68°F)

1 month	98%
3 month	94%
6 month	85%



- PERFORMANCE DATA
- Discharge Rates in Watts to Various End Voltages at 25°C (77°F)

Time	End Voltage	1.85V	1.80V	1.75V	1.70V	1.67V	1.65V	1.60V
10	min	630	700	740	780	790	810	835
15	min	585	622	660	685	700	715	720
30	min	366	389	410	429	437	448	464
60	min	220	232	242	251	254	258	264
90	min	153	164	172	179	182	185	189
120	min	115	125	132	138	140	143	147
180	min	92.0	98.5	104	108	109	111	112
240	min	80.5	85.2	88.7	91.0	91.8	92.8	94.2
300	min	70.5	74.3	76.3	77.5	78.0	78.7	79.5
600	min	37.7	39.5	40.7	41.3	41.7	42.0	42.5
1200	min	20.3	21.3	21.8	22.2	22.3	22.5	22.7

- Discharge Rates in Amperes to Various End Voltages at 25°C (77°F)

Time	End Voltage	1.85V	1.80V	1.75V	1.70V	1.67V	1.65V	1.60V
10	min	339	387	422	445	450	462	476
15	min	292	334	361	374	382	319	393
30	min	210	225	238	249	254	260	269
60	min	128	134	143	150	153	157	162
90	min	85.5	92.0	97.2	102	103	105	108
120	min	66.7	72.0	75.9	79.1	80.2	81.6	83.5
180	min	48.7	52.3	54.7	57.0	57.8	58.7	60.4
240	min	37.9	41.1	43.2	44.9	45.5	46.2	47.6
300	min	31.7	34.1	35.9	37.1	37.6	38.2	39.2
600	min	19.8	20.2	20.4	20.6	20.7	20.8	20.9
1200	min	10.2	10.5	10.7	10.8	10.9	11.0	11.1

All data on the spec. sheet is an average value:

The tolerance range : X<6min(+15%~-15%), 6min≤X<10min(+12%~-12%), 10min≤X<60min(+8%~-8%), X≥60min(+5%~-5%)

Contents in this data sheet are subject to change for improvement without prior notice to users. For clarifications and updated information, please contact us.

CÔNG TY NGUYỄN HÀ

AUTHORIZED MASTER DISTRIBUTOR IN VIET NAM
 Address : 3/4 Nguyen Van Thu Street, Dakao Ward, District 1, HCM City
 Tell : (028) 39.111.701 - Fax: (028) 39.111.700
 Email : phanphoi@ecotek-canada.vn - dichvu@ecotek-canada.vn
 Website : www.ecotek-canada.vn Call Center: 1800 1558

Factory has been assessed and certified as meeting the requirements of:

- * ISO 14001:2015 Certified by: SGS United Kingdom
- * OHSAS 18001 :2007 Certified by: SGS Taiwan
- * TL 9000-H:2016(R6)/R5.0 & ISO 9001:2015 Certified by: SGS-CSTC Standards Technical Services, China
- * ISO/IEC 17025 :2005 Certified by: Ministry Of Science and Technology Of Viet Nam

FACTORY ADDRESS:

Duc My Industrial Cluster, Duc Hoa Dong Commune, Duc Hoa District, Long An Province, Viet Nam

INVESTMENT LICENSE No: 1013126870

ISSUED BY: DEPARTMENT OF PLANNING AND INVESTMENT OF LONG AN PROVINCE